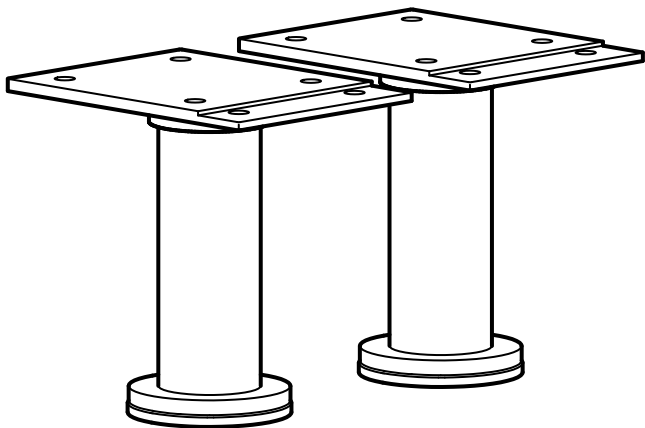
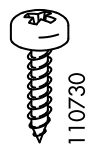
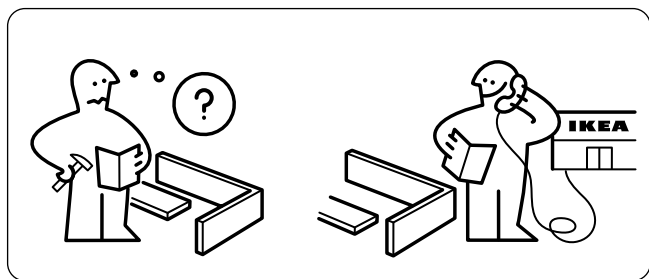
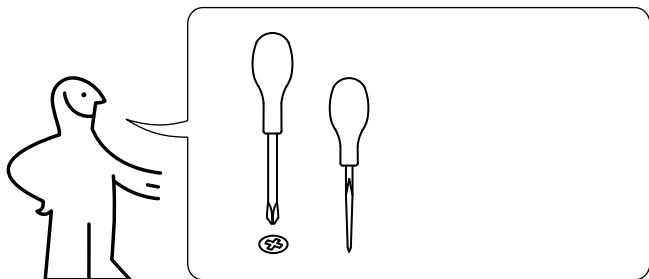


# CAPITA



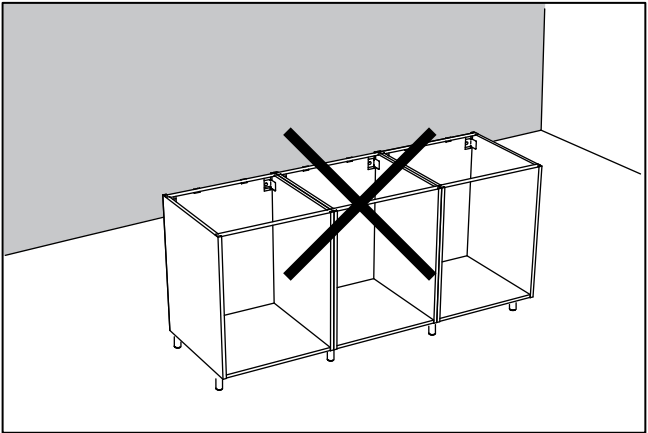
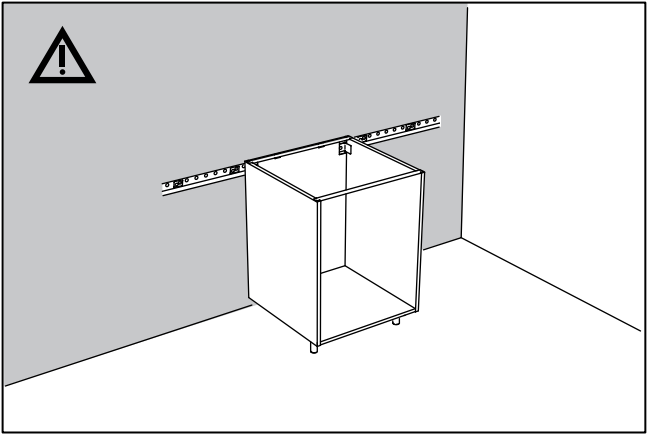
Design and Quality  
IKEA of Sweden



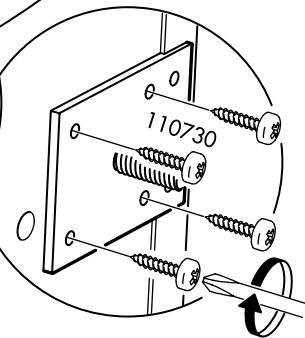
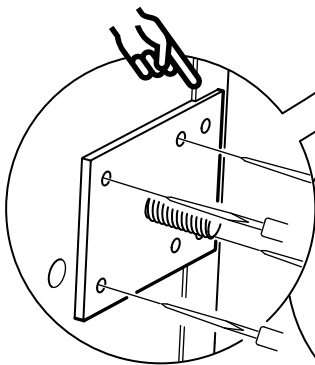
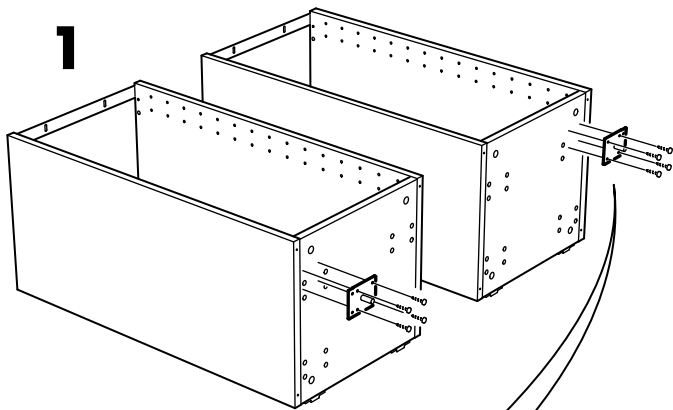
16x



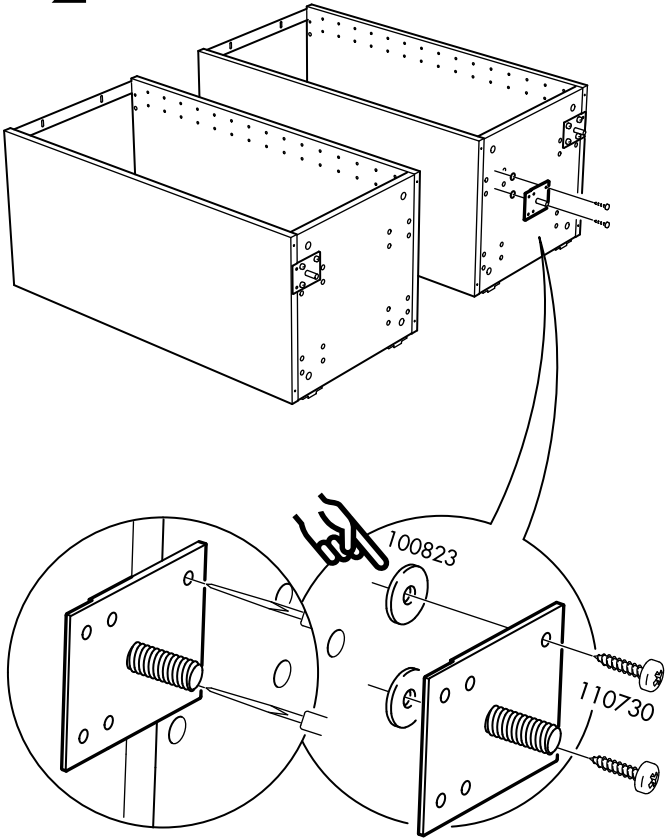
8x



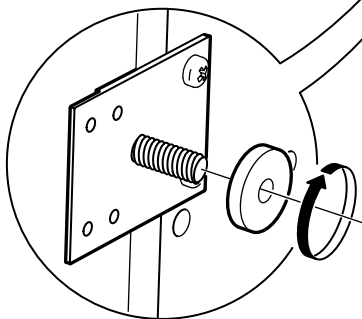
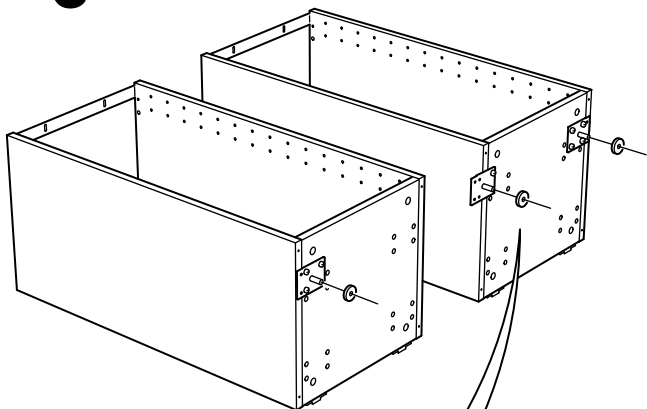
1



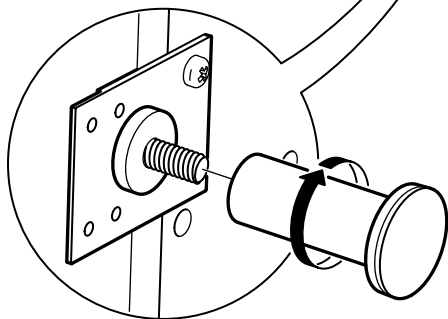
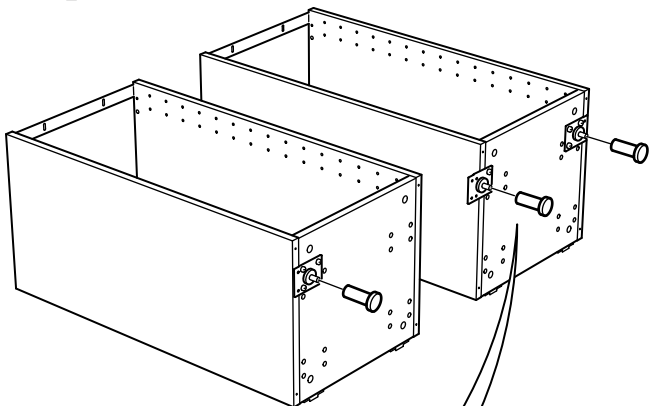
# 2



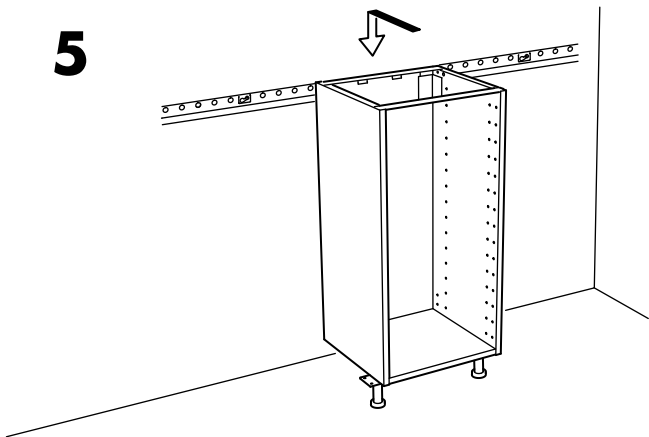
**3**



# 4



**5**



**6**

