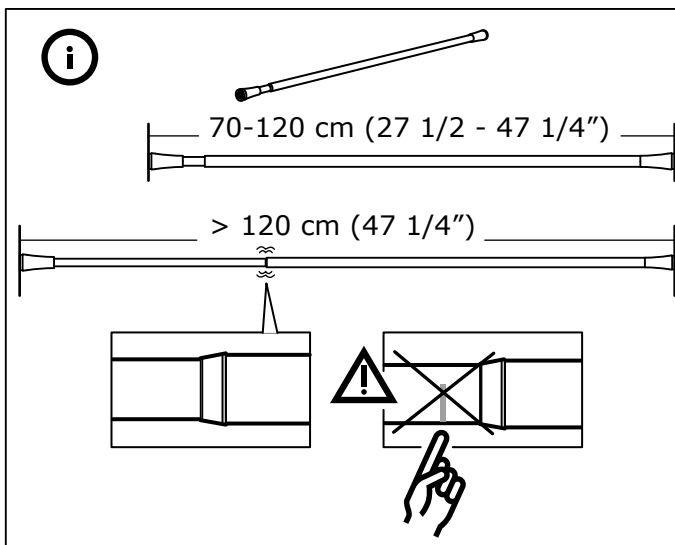
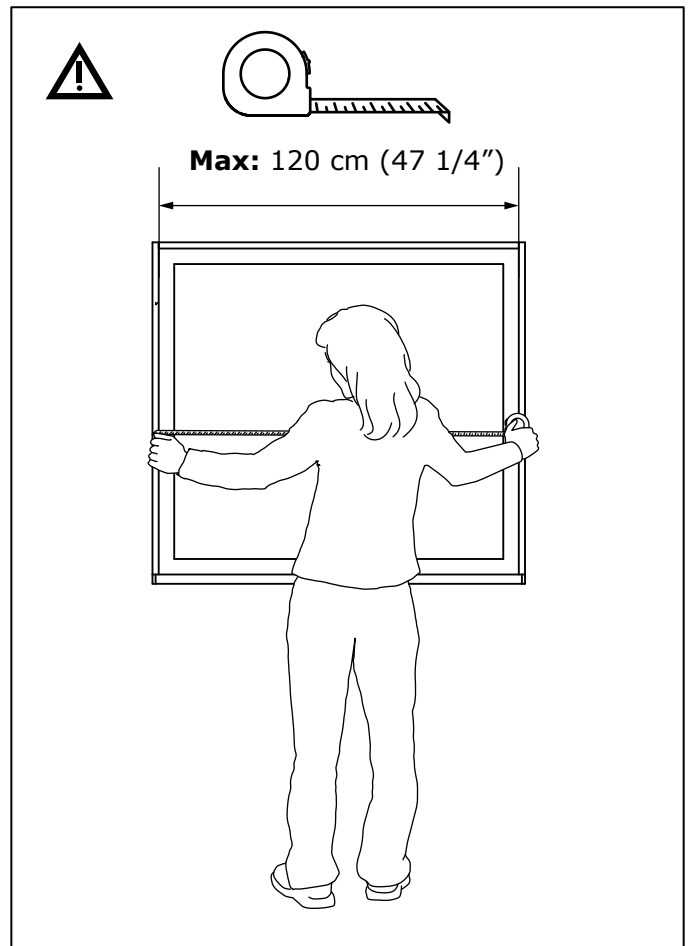
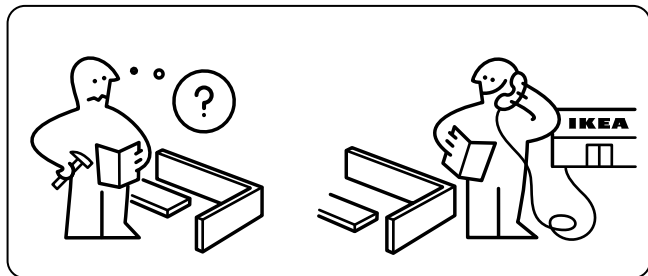
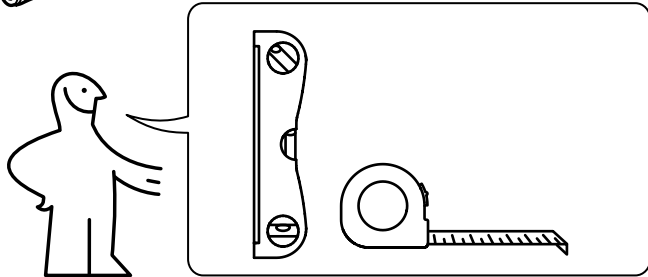
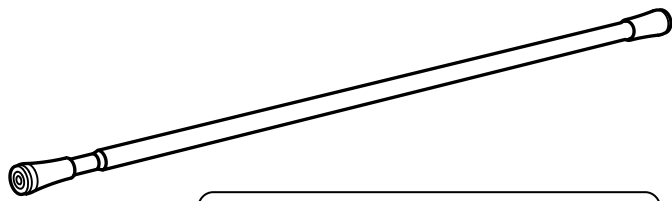
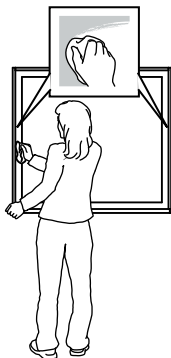


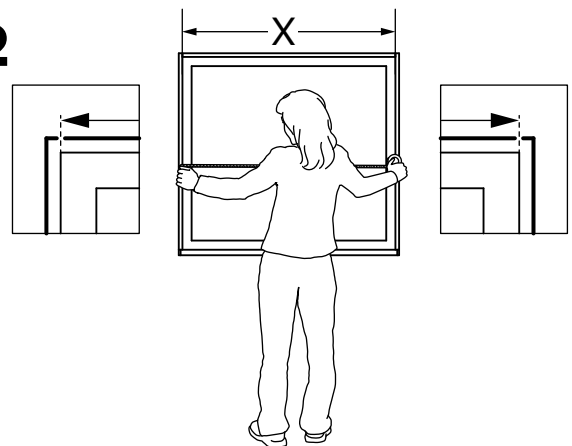
FJÄDRANDE



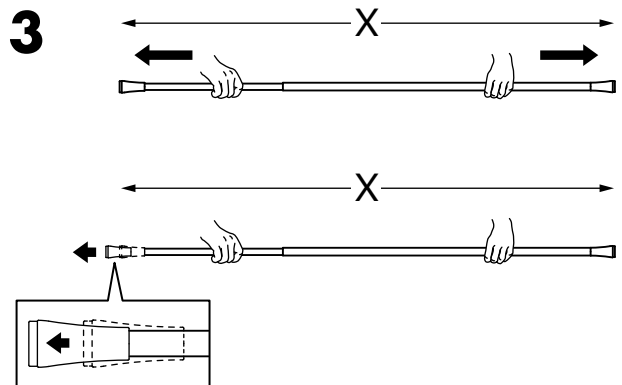
1



2



3



$X + 1,5 \text{ cm (X + 19/32")}$



Design and Quality
IKEA of Sweden

